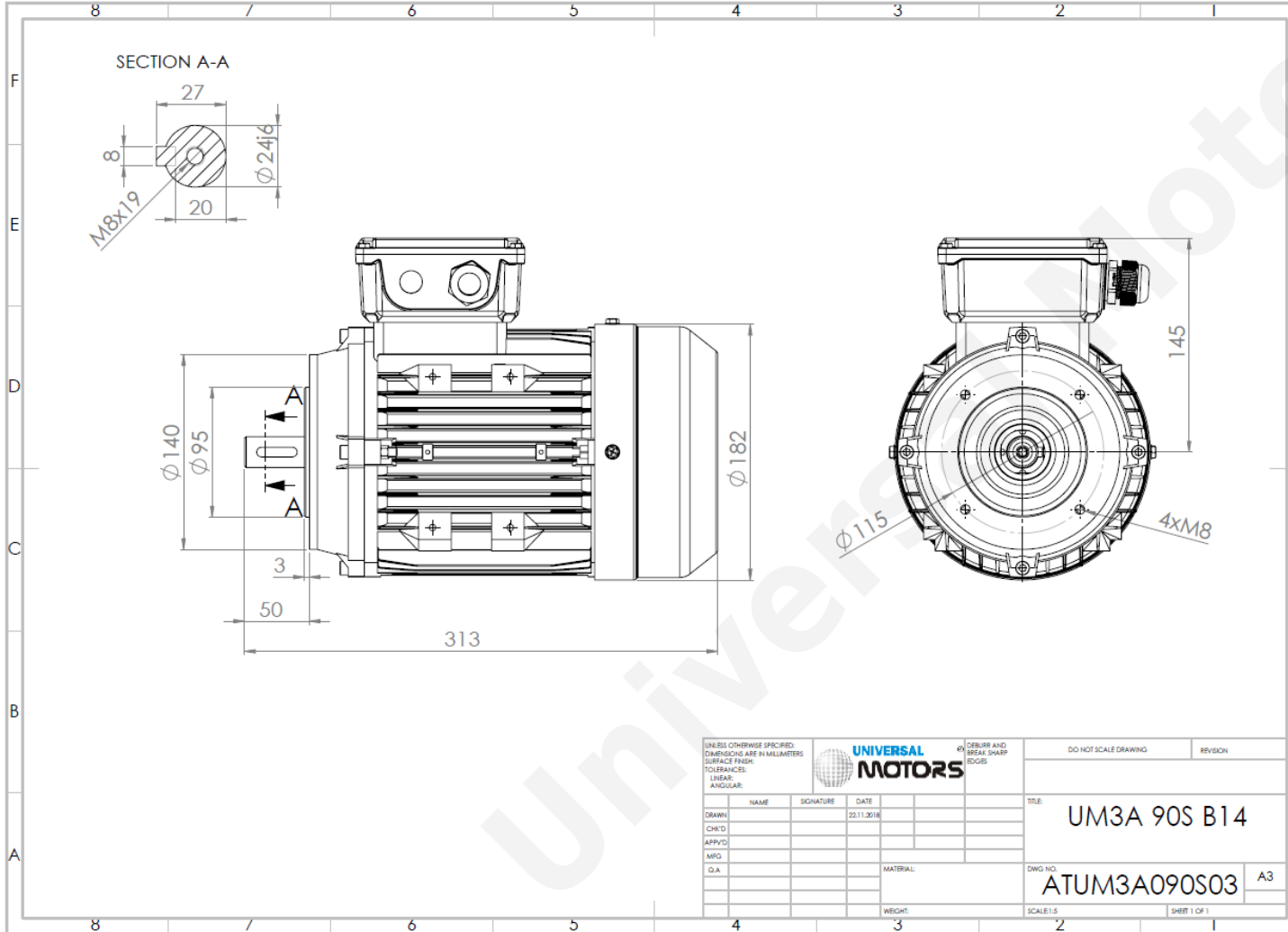




TECHNICAL DATA

Three Phase Electric Motors - Aluminum Frame
 PE31 90S-4
 1.1 kW / 1.5 Cv
 1435 RPM



| | |
|-----------------------------|------------------------|
| Motor type: | PE31 90S-4 |
| Output: | 1.1 kW / 1.5 Cv |
| Speed (min ⁻¹): | 1435 RPM |
| Frequency: | 50 Hz |
| Voltage: | 400 V |
| Current: | 2.5 A |
| Power factor (Cos Ø): | 0.75 |
| Poles: | 4 |
| Insulation class: | F |
| Temperature rise Class: | B |
| Efficiency 50%: | 82.0 % |
| Efficiency 75%: | 82.8 % |
| Efficiency 100%: | 84.1 % |
| Torque: | 7.3 N.m |
| Tstarting/Tnominal: | 2.3 |
| Istarting/Inominal: | 6.6 |
| Tmaximum/Tnominal: | 2.3 |
| Noise: | 66 Db(A) |
| Weight: | 15 Kg |
| Bearing DE: | 6205 2Z C3 |
| Bearing NDE: | 6205 2Z C3 |

| | | | | | | | | | | | |
|---|------|-----------|------|-------------------------------|--|------------------------------|--|----------------------|--|--------------|--|
| UNLESS OTHERWISE SPECIFIED: DIMENSIONS ARE IN MILLIMETERS SURFACE FINISH: TOLERANCES: LINEAR: ANGULAR: | | | | UNIVERSAL MOTORS | | DEBURR AND BREAK SHARP EDGES | | DO NOT SCALE DRAWING | | REVISION | |
| DRAWN | NAME | SIGNATURE | DATE | TITLE: UM3A 90S B14 | | | | DWG NO.: | | A3 | |
| CHK'D | | | | MATERIAL: | | | | SCALE:1:1 | | SHEET 1 OF 1 | |
| APP'VD | | | | WEIGHT: | | | | | | | |
| MRG | | | | | | | | | | | |
| Q.A. | | | | | | | | | | | |

Regime - S1

Altitude - 1000m

Environment Temperature - 40°C

CONTACTS:

UNIVERSAL MOTORS Tel: +351 252 299 080
 Rua de São Brás,745 Fax: +351 252 299 089
 4480-782 VILA DO CONDE Mail: geral@universalmotors.pt

* References applied only in the UK